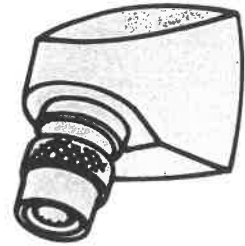


Location: SH-1



Fre-Flo Institutional Showerhead, 4-295

Specification Submittal



Model Numbers

- 4-295 Showerhead at 30 degree spray angle with mounting bracket and fasteners

Product Highlights

- Single mode showerhead at 30 degree spray angle
- Adjustable spray pattern
- Vandal resistant
- Standard flow rate is 2.5 gpm (9.5 L/min)
- Polished Chrome finish

Options / Modifications

Append appropriate -suffix to model number.

- 15 15 degree spray angle instead of 30
- OWBJ One way ball joint
- 2.0 2.0 (7.6 L/min) Flow rate restrictor
- 1.5 1.5 (5.7 L/min) Flow rate restrictor
- A Anchor plate for use with ceramic tile
- B Back plate and bolts for extra thick walls

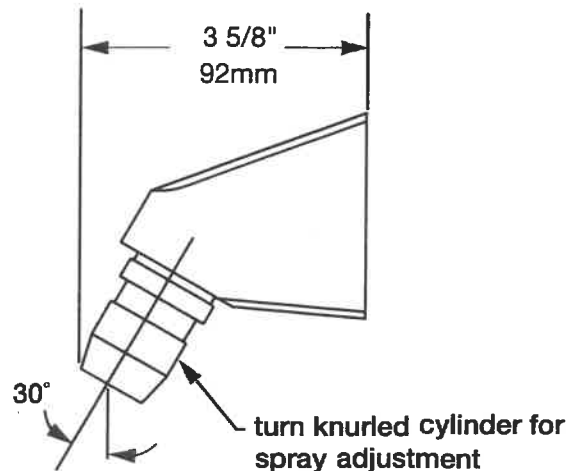
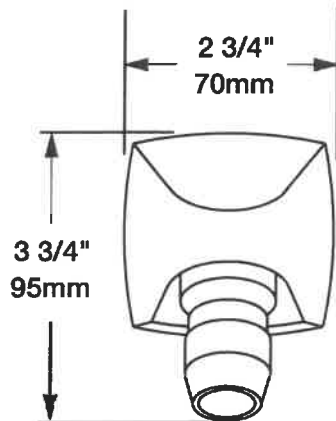
Standards / Certifications

ASME A112.18.1-2005; CSA B125.1

Warranty

- **Limited Lifetime** - to the original end purchaser in residential / consumer installations.
- **5 years** - for commercial installations

Dimensions Showerhead, 4-295



Note: Dimensions subject to change without notice.

Symmons Industries, Inc. ■ 31 Brooks Drive ■ Braintree, MA 02184
(800) 796-6667, (781) 848-2250 ■ Fax (800) 961-9621
Website: www.symmons.com ■ Email: customerservice@symmons.com

Copyright © 2015 Symmons Industries, Inc. Printed in U.S.A. ■ 032515


SYMMONS[®]
the smart choice™

Print

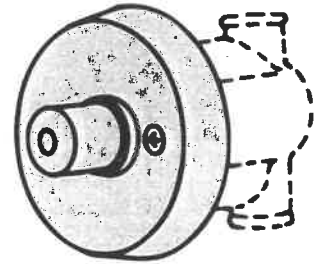
Email

Reset Form



Showeroff Shower Valve 4-420

Specification Submittal



Model Numbers

- ☑ 4-420 Showeroff shower valve

Compliance

-ASME A112.18.1/CSA B125.1



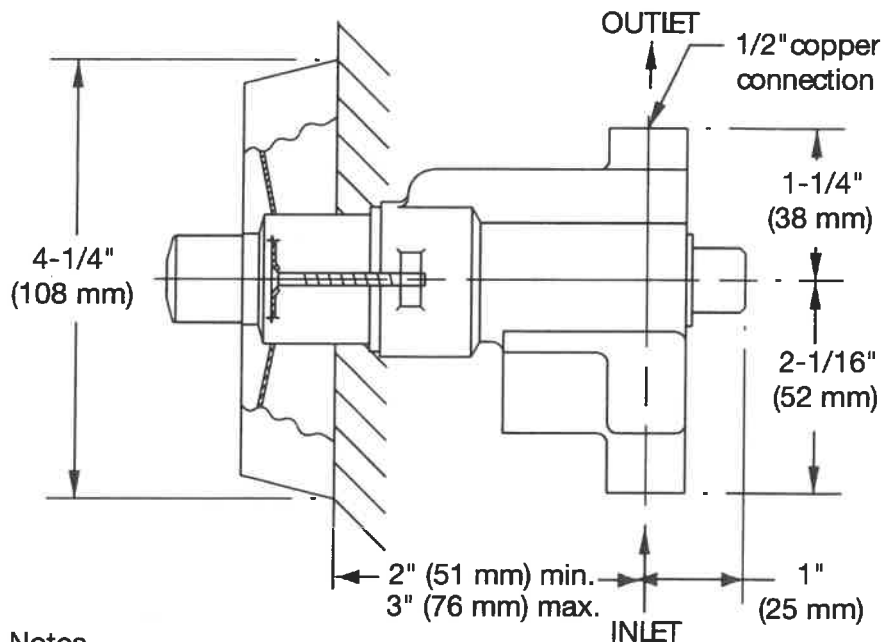
Warranty

- Limited Lifetime - to the original end purchaser in residential / consumer installations.
- 5 years - for commercial installations

Feature Highlights

- Manual Showeroff shower limiter valve
- Valve body made from brass
- Integral service stop for shutting water off when servicing valve cartridge
- 1/2 inch sweat connections
- Vandal resistant mounting fasteners, recessed hex socket type
- Maximum operating pressure: 80 psi (552 kPa)
- Adjustable timing varies depending on inlet pressure
- Polished chrome finish

Dimensions Showeroff Shower Valve, 4-420



Notes

- (1) Illustrated 3" (76 mm) from tubing centerline to face of wall
- (2) Dimensions subject to change without notice