



8.2.2.) Hydraulic Scheme for the EPOS 5, EPOS 10 and EPOS 30 Control Panels – with pre-wetting system

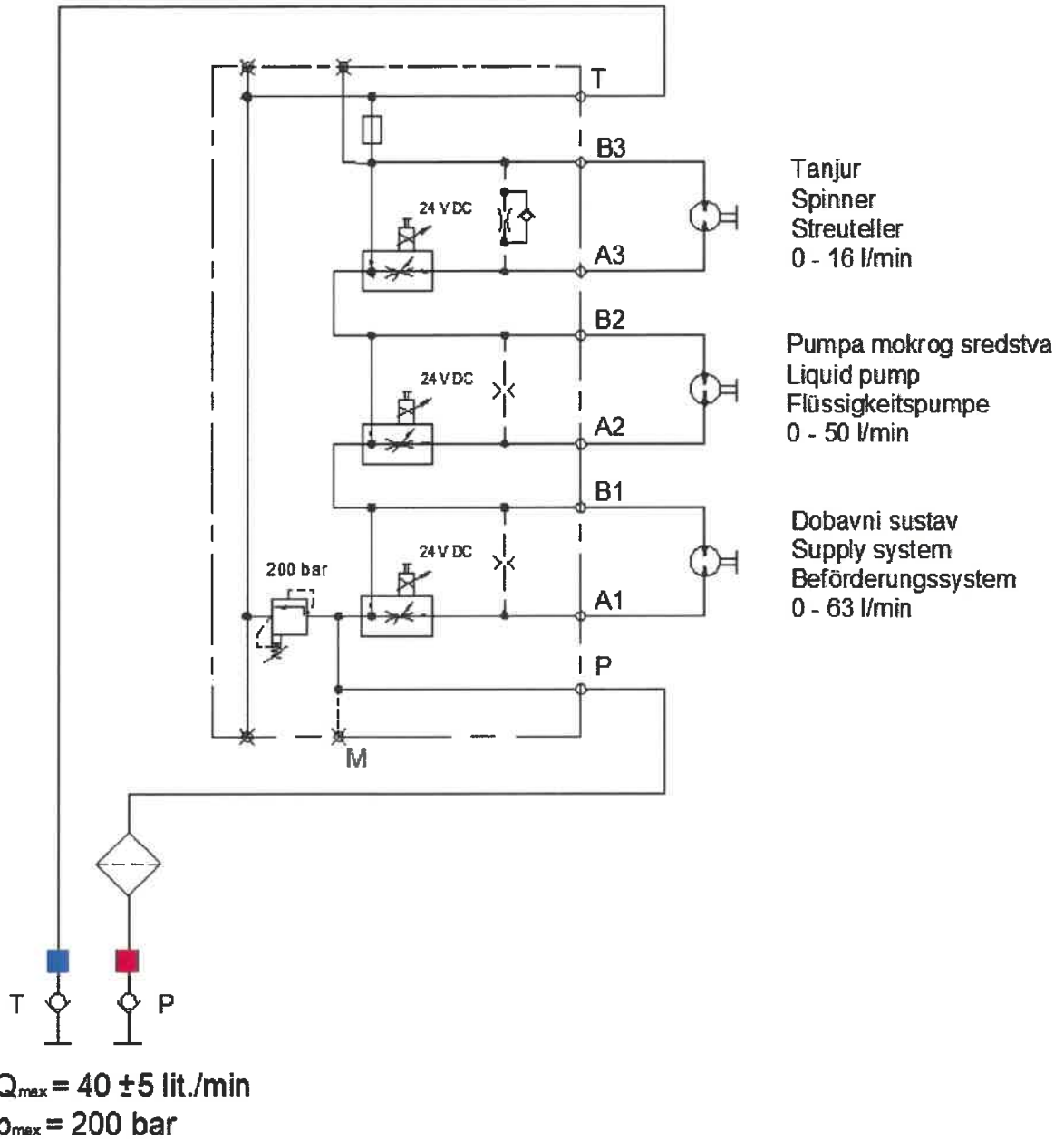


Figure 50 Hydraulic Scheme for the EPOS 5, EPOS 10 and EPOS 30 Control Panels – with pre-wetting system