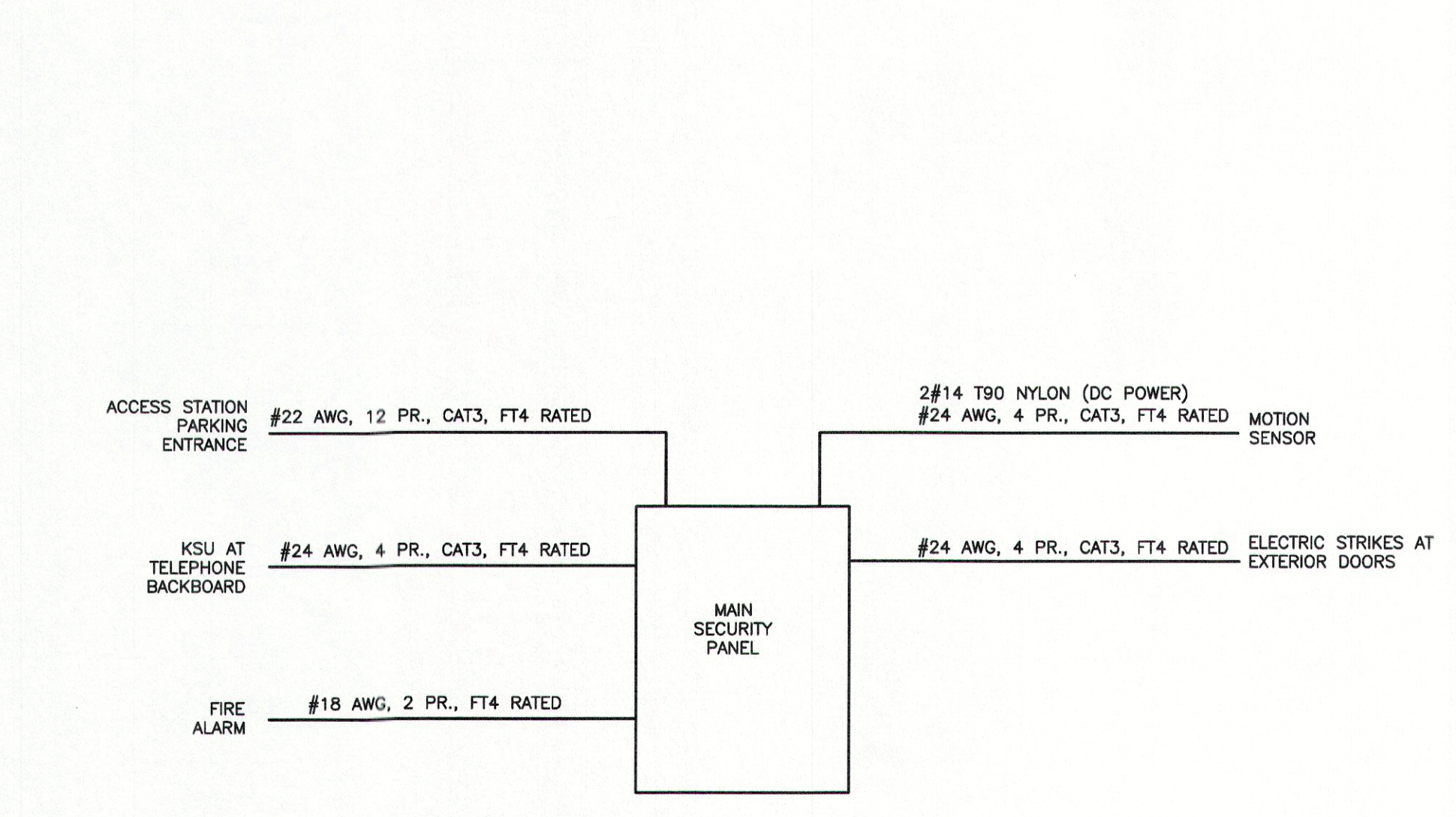
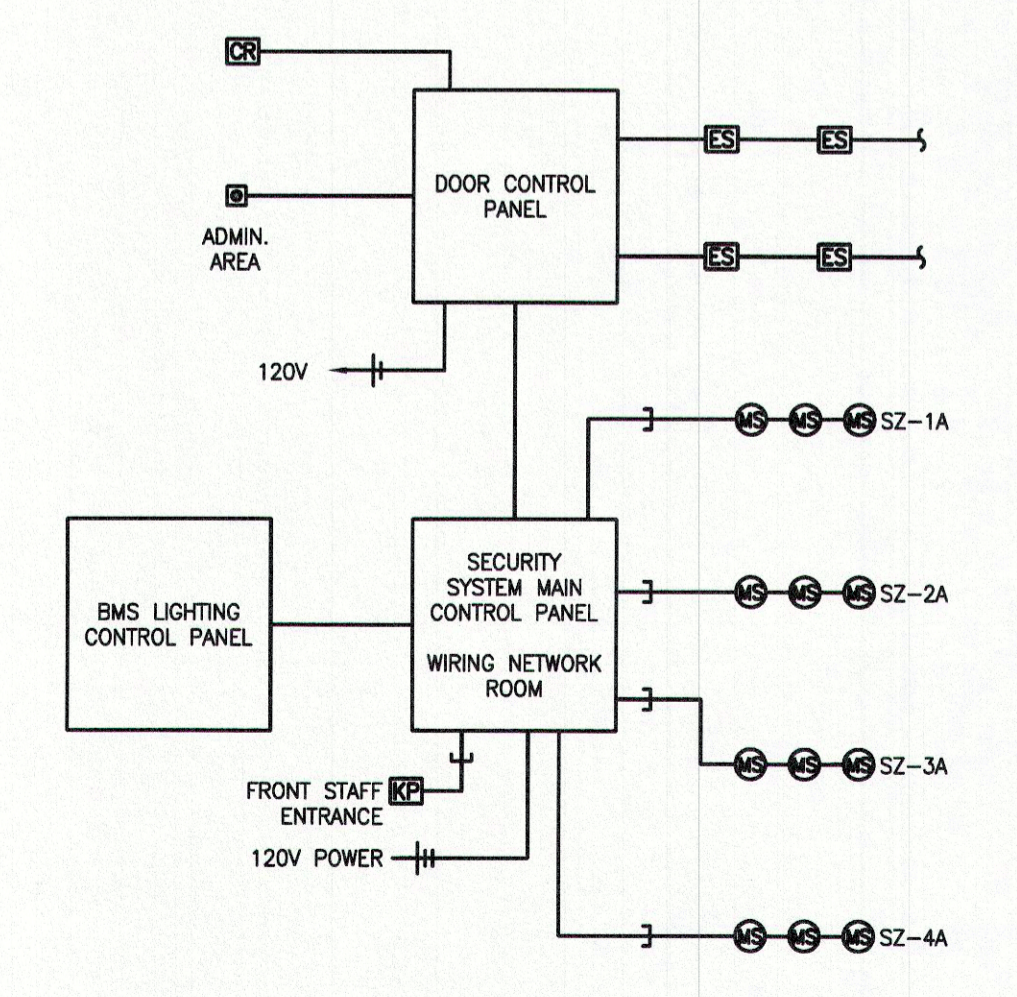


GENERAL NOTES:
ALL CONDUITS AND GROUNDING SHOWN ON THIS DETAIL ARE TO BE SUPPLIED AND INSTALLED BY DIV. 26.

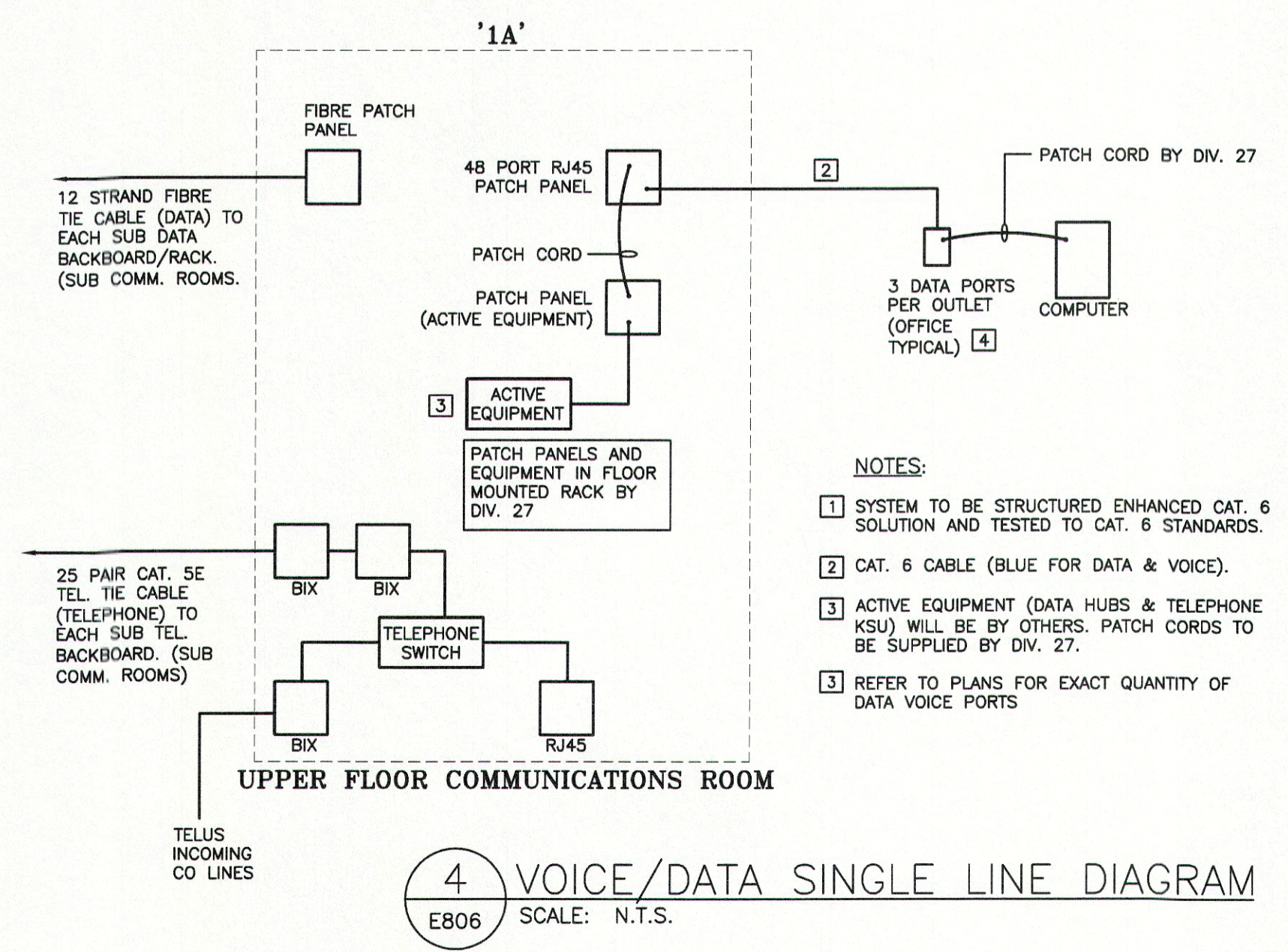
1 INTERCOMMUNICATIONS CONDUIT DETAIL
E806 SCALE: N.T.S.



2 SECURITY SYSTEM SCHEMATIC
E806 SCALE: N.T.S.



3 SECURITY SYSTEMS WIRING DIAGRAM
E806 SCALE: N.T.S.



4 VOICE/DATA SINGLE LINE DIAGRAM
E806 SCALE: N.T.S.

4	ISSUED FOR BUILDING PERMIT	2010-06-01
3	ISSUED FOR TENDER	2010-05-07
2	ISSUED FOR 99% REVIEW	2010-04-30
1	ISSUED FOR 50% REVIEW	2010-04-09
No.	Description	Date

Drawing History
Scale: (Drawing Scale is Based on A1 Sheet Size) Checked By AS NOTED

Project
BADLANDS COMMUNITY FACILITY

Drawing Title
DETAIL SHEET 6

Project Number Drawing Number
29613 E806